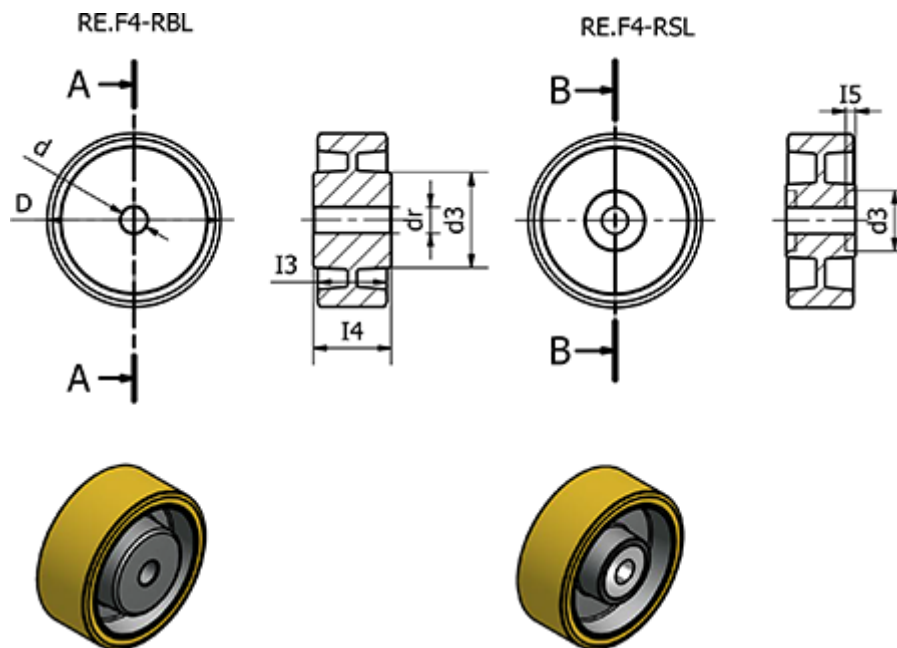


Article number: 2314451414

Description: E+G Cast iron wheel 451414
RE.F4-200x50-RSL - loose wheel with ball bearings

Measures



Code	= 451414	Max static load (N)	= 15000
d	= 200	Rolling resistance (N)	= 3800
d3	= 47	Type	= RE.F4-200x50-RSL
dr	= -	Weight (g)	= 3650
Dynamic carrying capacity (N)	= 10000		
I3	= 50		
I4	= 55		
I5	= 14		